

正面 105 mm

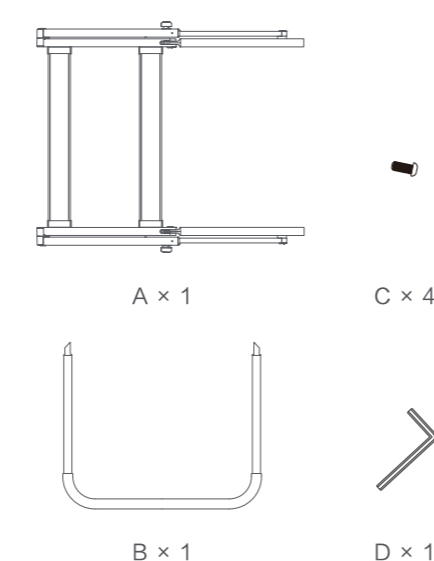
296 mm

WalkingPad

HANDRAIL INSTRUCTION

TM-WPAD-HRL

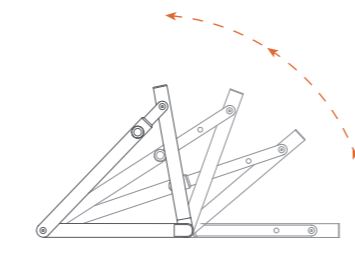
I.Components description



A × 1 C × 4
B × 1 D × 1

1

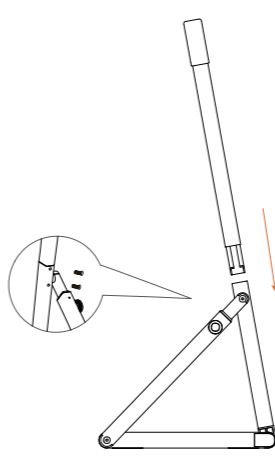
II.Installation description



01.As shown in the figure, pull it up in the direction of the arrow.

2

II.Installation description



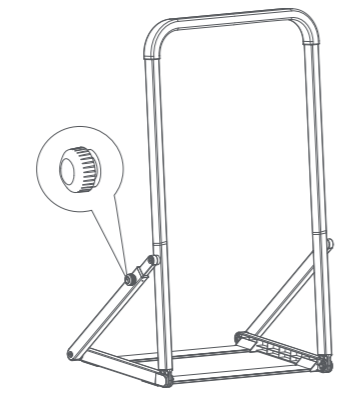
02.Insert Part B into Part A, tighten the screws.

3

反面 105 mm

296 mm


II.Installation description



03.There are two optional gears here. Please note that the screws should be tightened before use.

4

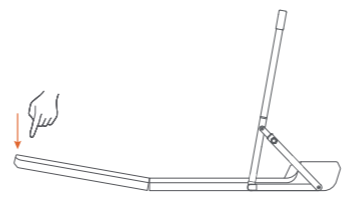
II.Installation description



04.After installing the handrail, push the treadmill forward.

5

II.Installation description



05.And then, put it flat.

6

III.Attention:

1. Do not use strong corrosive cleaning agent to clean or wipe this product.
2. The vertical pressure of the product is not more than 100kg.
3. After installing the handrail, the sensitivity of the treadmill sensor decreases. Do not use Auto Mode.
4. Please complete the treadmill guide before using it with the armrest.

Manufactured for:
Gymstick International Oy Ratavirtijankatu 11, 15170 Lahti, Finland

刀线 ————
压线 - - - - -

样品
样品数量 ▶

审核人员
设计主管 ▶
品质经理 ▶
设计人员 ▶ 梅丹、
梅斯 (最终修改)
张园园

产品名称 ▶ WalkingPad 走步机 ACHR1F-O	印刷颜色 ▶ PANTONE 11 C PANTONE 1505 C
物料名称 ▶ 说明书	比 例 ▶ 1: 1 单 位 ▶ mm
物料编码 ▶ -	成品尺寸 ▶ 296*105 mm

技术要求 ▶ 1. 80g 铜版纸加哑膜;
2. 图案、字体以AI文件为准;
3. 须符合RoHS要求。

特种工艺 ▶